



### **INDUSTRIAL STRENGTH**

Stainless steel fasteners and aluminium cast structure  
Operating 24/7

### **DESIGN AND STATE-OF-THE-ART TECHNOLOGY**

Label reel housing fitted with a special inflexible fibreglass polymer disk  
Metallic black colour epoxy powder coating, scratch and corrosion proof  
Drive unit easy to open and totally accessible to guarantee quick interventions  
Independent 3M cabled Remote Control Unit, with graphical display.

### **VERSATILITY**

DYNAMIC can apply labels on top, bottom, in front, on the back, on the side, around the corner of the product, and is available in right or left hand versions  
Label reel housing Ø 280 mm  
Limited linear space required, low weight.

### **SAFETY**

Limited sharp edges; encased or button head screws reel housing and liner rewind disks designed without holes for maximum safety.

**CE marking (in conformity with 2006/42/CE standard)**

## MAIN CHARACTERISTICS :

- Label reel housing diameter: External reels max. 280mm, core 45 or 75mm
- Usable liner width: Max 120mm, Min 14mm
- Dispensable label width: Max. 116mm
- Minimum gap between labels: 2 mm
- Max dispensing speed : 40 meters / min
- Accuracy : +/- 1mm
- Power Supply : 230V - 50 Hz or 110V and 60 Hz
- Drive Package: Stepper.
- Control Package: Microprocessor.

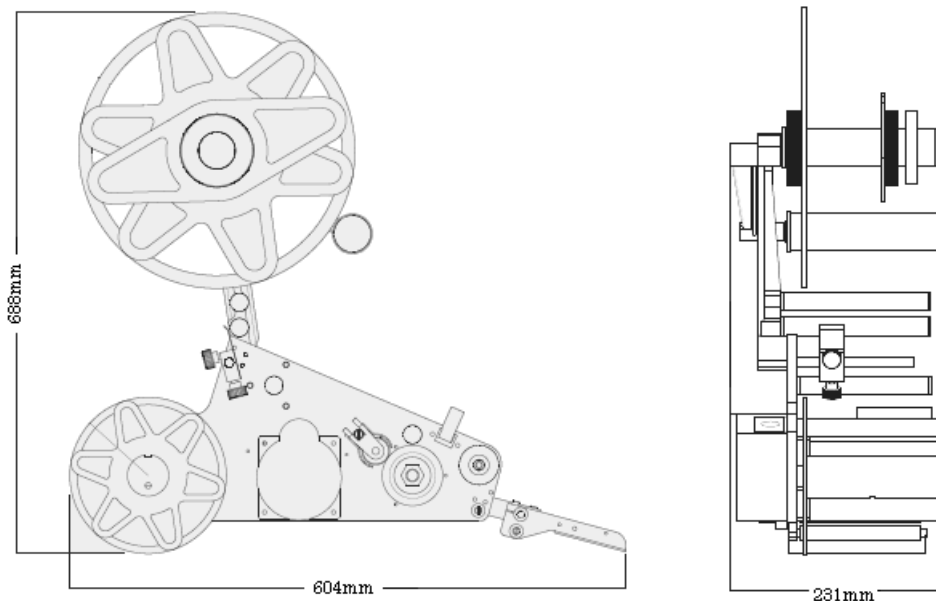
The Control Package includes:

An independent control unit; operator interface with membrane keyboards and graphic Display backlit by a 2,7" led. Multilanguage menu (Italian, English, French, German, Spanish, Portuguese and Russian) and split into different authorisation levels

"Operator", "Supervisor" and "Maintenance Service" (Supervisor and Maintenance Service menus are Password protected). The firmware allows for the memorisation of 100 "label programs" recalling many different settings: pre-dispensing, labelling speed, labelling point (application delay)

Complete with modern day technology including application rate, batch count, product filters and much more.

**Options include:** Encoder management, low media alarm, I/O outputs etc.



**A labeller becomes a system when it is used with labels supplied by someone who knows about labelling!**

